

**TAMRON**  
New eyes for industry

for mirrorless interchangeable-lens  
cameras (APS-C format)  
Di III Series 18-200mm

Captured  
in a heartbeat.



Now  
Available

For Canon mirrorless  
interchangeable-lens  
cameras

Light, compact, high-power zoom

# 18-200mm F/3.5-6.3 Di III VC

For Canon, Sony Model B011 Black/Silver

Di III Lens designed for mirrorless interchangeable-lens cameras.  
Comes with flower-shaped lens hood.

<http://www.tamron.com>



# SMART EXPLORER.

Refined design and superior performance.  
The smart choice for exploring your expanding world.  
An elegant evolution of the all-in-one™ zoom lens.

This extraordinary all-in-one™ zoom lens covers practically any shooting situation you'll ever encounter with your mirrorless interchangeable-lens camera\*. Light, compact, and exquisitely designed, the B011 covers the full focal-length range from 18mm wide-angle to 200mm long telephoto (28-310mm equivalent in the 35mm format). This is a high-power zoom lens designed by Tamron exclusively for mirrorless interchangeable-lens cameras.

\*Mirrorless interchangeable-lens cameras\* are also known as \*Compact System Cameras.\*

## LIGHT & COMPACT

A brilliant match for today's mirrorless interchangeable-lens cameras, the pleasingly small, lightweight B011 provides all the advanced technologies you need to take your photography to the next level. Its impressive 18-200mm, high-power zoom range can take in everything from casual close-ups to telephoto action images. Tamron's proprietary VC (Vibration Compensation) image stabilization lets you capture sharper photos handheld in practically any light. The more you use this lens, the more you'll want it by your side while you're strolling around town or heading out on longer journeys. Get closer to your world and capture it in vibrant images with the extraordinary B011.



## TOP-QUALITY IMAGES

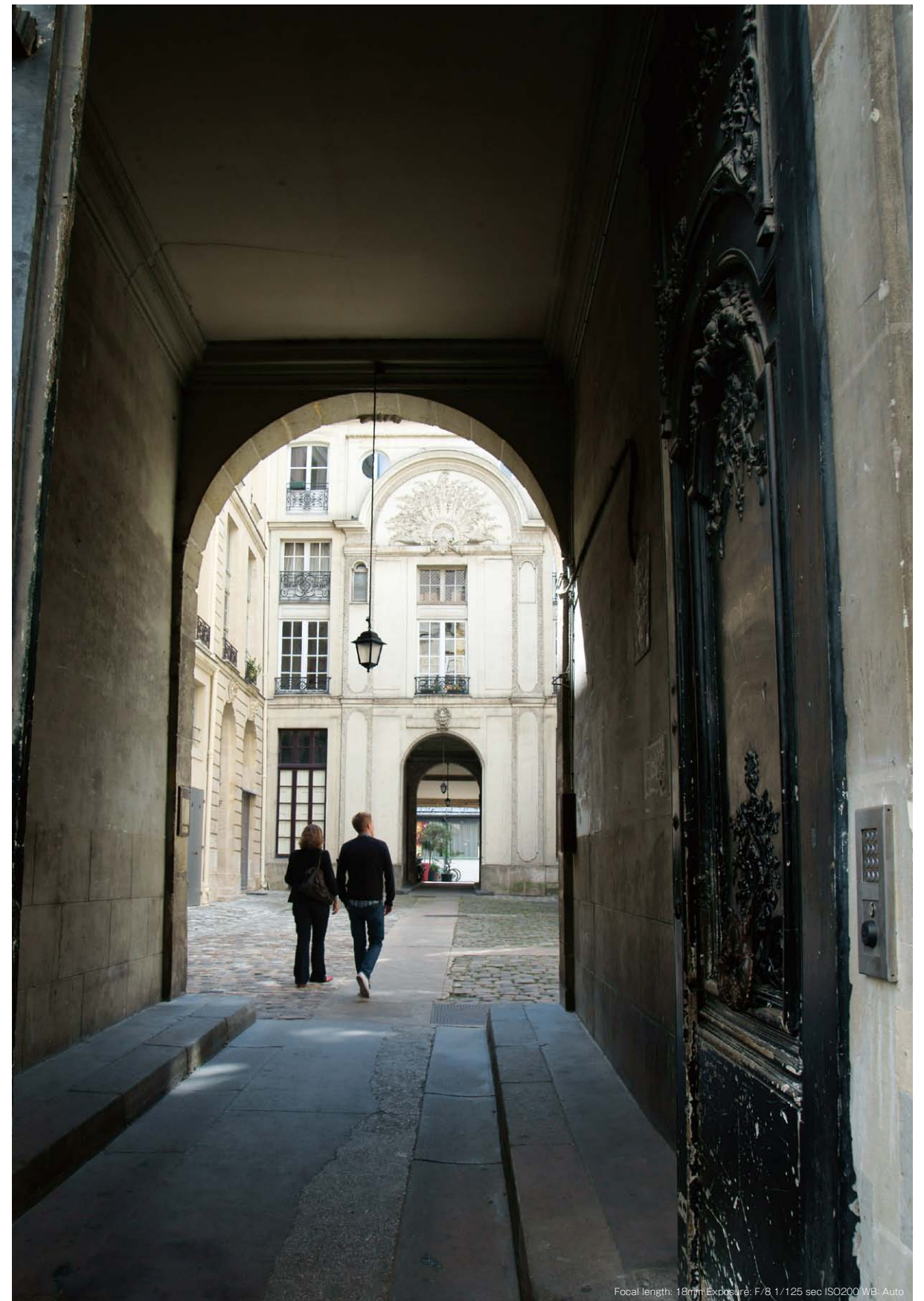
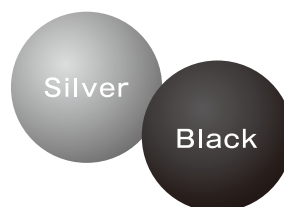
The B011 gives you sharp, clear images no matter what you're shooting. Over 20 years of high-power zoom technology developments by Tamron have been distilled into this innovative long-range compact lens. The optical design includes an array of specialized glass elements that overcome aberrations, resulting in crisp, flawless images.\* You can capture all the beauty of every moment you encounter with this superlative lens.

\* The B011's optics include two LD elements, three Glass Moulded Aspherical Lenses, one XR (Extra Refractive Index) glass, and one Hybrid Aspherical Lens.



## DESIGN / COLOR

The B011's polished design and professional metal finish come together in a compact package that is fashionable, ergonomic, supremely portable, and easy to use. With this lens on your camera you'll be ready to capture your world in breathtaking images, just as you see it. Choose from black or silver models to match your camera body. With this unique design Tamron has achieved a perfect balance of technological excellence, elegance, and picture-taking fun.



Focal length: 18mm Exposure: F/8, 1/125 sec ISO200 WB: Auto

## Exquisite European Cityscenes

A first-time visitor to the city, easily strolling with a traveler's premonitions, softly breathing in the air. The details of the city, gently traced into a photograph. What will I encounter in the depths of this lane?



Focal length: 40mm Exposure: F/5.6 1/400 sec ISO250 WB: Auto



Focal length: 18mm Exposure: F/5.6 1/20 sec ISO1000 WB: Auto



Focal length: 45mm Exposure: F/14 1/160 sec ISO200 WB: Auto



Focal length: 100mm Exposure: F/5.6 1/100 sec ISO1000 WB: Auto



Focal length: 18mm Exposure: F/8 1/200 sec ISO200 WB: Auto



Focal length: 18mm Exposure: F/5.6 1/200 sec ISO200 WB: Auto



Focal length: 40mm Exposure: F/7.1 1/60 sec ISO400 WB: Auto

# TAMRON TECHNOLOGY

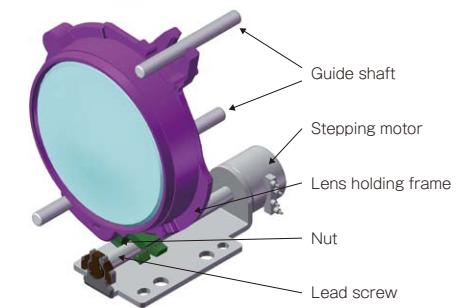
Ease of use plus high performance in a perfect package!

## Precise, quiet autofocus that allows for fine adjustments.

The B011's autofocus mechanism uses a stepping motor that's an ideal match for the contrast detection autofocus system used in mirrorless interchangeable-lens cameras. The stepping motor's actuator allows finely tuned control of angular rotation, and since it drives the focusing mechanism directly without an intermediate reduction gear, it also provides superbly quiet performance. You can count on this to enhance autofocus capability when shooting video. Furthermore, after adjusting with the autofocus mechanism, you can use the full-time manual focus to allow delicate adjustments to the image. In short, you can capture the scenes you want, focused exactly as you want them, every time.



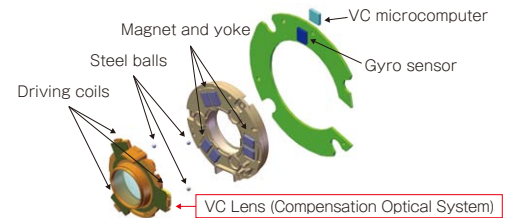
<Stepping Motor Schematic Diagram>



## VC\* image stabilization: It provides an anti-shake advantage when you're shooting handheld, so you can make full use of the lens's capabilities even in low light.

The B011 provides a crisp, vivid viewfinder image plus the operational advantages of Tamron's acclaimed VC (Vibration Compensation) image stabilization technology. This high-power zoom lens enables easy handheld shooting even in low light or at telephoto settings. Tamron's VC technology uses our exclusive, proven, ultra-reliable three-coil system in which three drive coils move the shake-compensating VC optical groups in the lens electromagnetically via three steel balls. The upgraded "moving coil" system in the B011 places the drive coils adjacent to the shake-compensating optics, allowing a lighter, more compact design. The new lens also benefits from design enhancements aimed at providing quieter operation.

<Expanded VC Schematic Diagram>



\* VC: Vibration Compensation

## Di III: Lenses for mirrorless interchangeable-lens cameras.

Di III (Digitally integrated design): A designation Tamron gives to lenses engineered specifically for mirrorless interchangeable-lens cameras with no internal mirror box or pentaprism, adopting an optical design that matches the characteristics of the digital camera.



\* B011 can not be used with digital SLR cameras with a built-in mirror box or with conventional 35mm film SLR cameras.  
\* B011 is designed exclusively for APS-C format mirrorless interchangeable-lens cameras.



Light. Compact. Stylish.  
 Tamron's high-power zoom lens for mirrorless interchangeable-lens cameras. In two colors.

### 18-200mm F/3.5-6.3 Di III VC

for mirrorless interchangeable-lens cameras

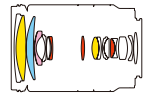
Model: B011

Color: Black/Silver

Model	B011
Focal Length	18-200mm (28-310mm equiv. in 35mm)
Maximum Aperture	F/3.5-6.3
Angle of View	Diagonal 75°33' - 7°59' Horizontal 65°36' - 6°38' Vertical 46°21' - 4°15'
Lens Construction	17 elements in 13 groups
Minimum Focus Distance	0.5m (19.7in)
Max. Magnification Ratio	1:3.7 (at f=200mm: MFD 0.5m)
Filter Size	ø62mm (2.4in)
Length <sup>1</sup>	96.7mm (3.8in)
Diameter	ø68mm (2.7in)
Weight	460g (16.2oz)
Diaphragm Blade Number	7
Minimum Aperture	F/22-40
Standard Accessories	Flower-shaped lens hood
Compatible Mount	Canon, Sony

#### [B011 Lens Construction]

- Hybrid Aspherical Lens
- LD Element
- XR (Extra Refractive Index) Glass
- Glass Molded Aspherical Lens



\*Specifications, appearance, functionality, etc. may be changed without prior notice.

1. Length is the distance between the mount face and the tip of the lens.

<sup>1</sup>The Sony mount was developed, manufactured and sold based on the specifications of E-mount which was disclosed by Sony Corporation under the license agreement with Sony Corporation.\*

\*Di III (Digitally integrated design): A designation Tamron gives to lenses engineered specifically for mirrorless interchangeable-lens cameras with no internal mirror box or pentaprism, adopting an optical design that matches the characteristics of the digital camera. (Note: These lenses can not be used with digital SLR cameras with built-in mirror box or conventional 35mm film SLR cameras).

NOTE: When using Continuous AF (AF-C) Mode with Sony mirrorless interchangeable-lens cameras.

○Due to an inherent characteristic of this TAMRON lens, when using the Sports Action mode on Scene Selection, the continuous operation of the focus search function may cause some fluctuation in the LCD monitor image. However, there will be no associated problems on photos taken in this situation.

○In other Shoot Modes (P, A, S, M), when the focus mode is set to Continuous AF (AF-C), the same condition may also arise. There will also be no associated problems on photos taken in this situation.

\*As an alternative to either of the above settings, you can change the focus mode to Single-shot AF (AF-S) or Direct Manual Focus (DMF) and continue shooting.

#### B011 Different Angles of View



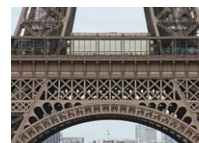
**18mm**  
 Equivalent  
**28mm**  
 Diagonal : 75° 33'  
 Horizontal : 65° 36'



**50mm**  
 Equivalent  
**78mm**  
 Diagonal : 31° 11'  
 Horizontal : 26° 07'



**100mm**  
 Equivalent  
**155mm**  
 Diagonal : 15° 53'  
 Horizontal : 13° 14'



**200mm**  
 Equivalent  
**310mm**  
 Diagonal : 7° 59'  
 Horizontal : 6° 38'

**⚠ Caution:** Please read the instruction manual carefully before using the lens.

B11-EG-121-I-1405-0000

# TAMRON

Manufacturer of precise and sophisticated optical products  
 for a broad range of industries.

#### TAMRON CO., LTD.

1385, Hasunuma, Minuma-ku, Saitama-shi, Saitama 337-8556 JAPAN  
 Tel. +81-48-684-9339 Fax. +81-48-684-9349  
<http://www.tamron.com>



#### Management on Quality and Environment

Tamron is certified with international standards: ISO 9001 for quality and ISO 14001 for environmental management at its headquarters, domestic sales offices, China plant as well as three production facilities in Aomori, Japan, and is fully committed to striving for continued and sustainable improvement at all levels and facets of its business operations.

Note: Information valid as of May 2014. Information in this publication is subject to change at any time without prior notice.